

TYP:

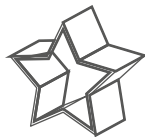
LED STRIPES

# LinkS<sub>300</sub> RGBW CCT

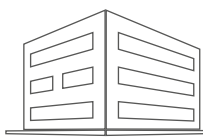
Typical applications: edge lighting in industry advertising | small spatial letters



ADVERTISING SOLUTIONS



CUSTOM APPLICATIONS

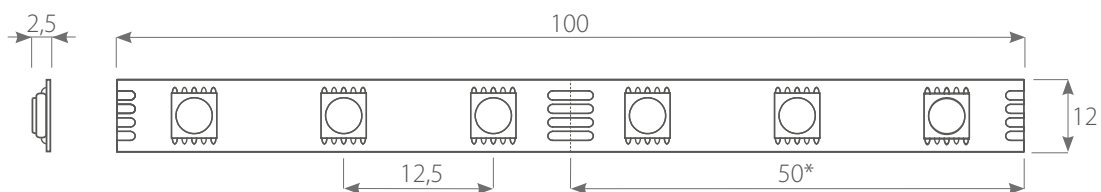


ARCHITECTURAL BACKLIGHT



LinkS<sub>300</sub> RGBW CCT is a stripe with 300 diodes per 5m roll. It is excellent for very light lighting of light boxes, POS systems, furniture and elements of interior design. A separate RGBW CCT controller is required for proper operation. For larger projects an RGBW CCT amplifier must be added. Double-sided 3M™ industrial adhesive tape on the back is used for assembly. The LinkS<sub>300</sub> RGBW CCT stripes are powered by 12 VDC and have a 3 year warranty.

DIMENSION [mm]



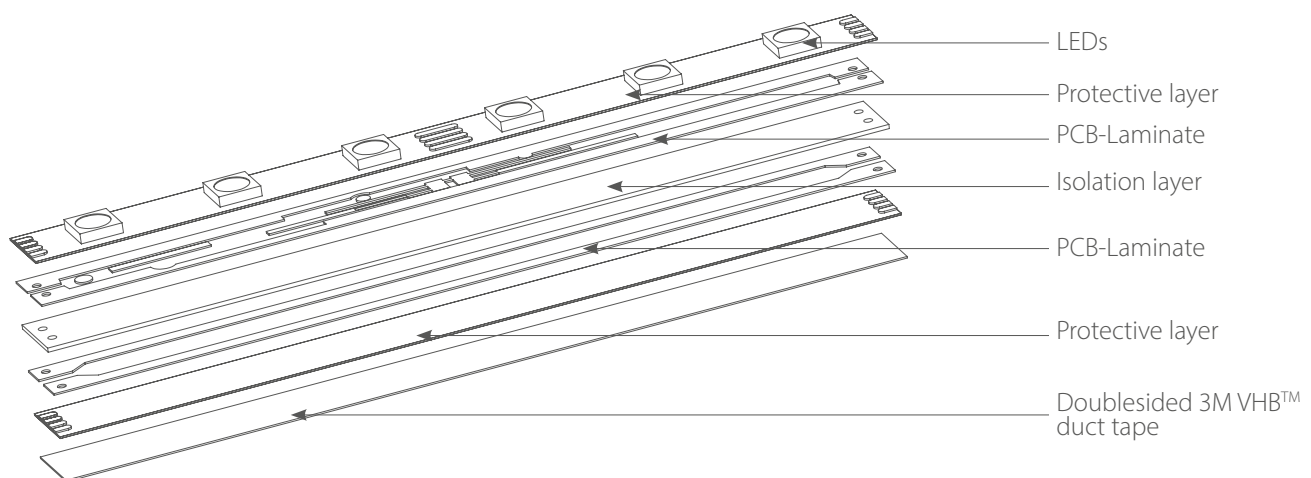
**LEDlink**

www.ledlink.de

\* dimension of the cutting section

Type	LinkS <sub>300</sub>
	RGBW W2560K CCT
Symbol	T120440
Color	RGB + W2500-6000K
Voltage [V DC]	12
Current [mA/1m]	1400 ~ 1600
Power consumption [W]	19,2 (±5%)
Luminous flux [lm]	-
Light output [lm/W]	-
Beam angle [°]	120
Protection degree	IP20
Color temperature [K]	2500-6000
Wavelength [µm]	R: 620 / G: 520 / B: 460
Operating temperature [°C]	-10 - +40
LEDs	SMD5050
LED quantity [pcs./m]	60
Partial [cm]	5
Lifetime [h]	30.000
Warranty [months]	36
Packing [m]	5

CONSTRUCTION



Supply method: The maximum length of the section fed in series is 5m.  
 On request, possible sections: 30m or 50m

TABLE OF CONTENTS